

LV MOSFET

MD X

X X X X

XXXXX

Package

- A: DFN
- B: PDIP-8
- M: SC70
- N: SC89
- S: SO-8
- H: SOT-23
- T: TSOP-6
- C: TSSOP-8
- U: PowerDFN56
- V: PowerDFN33
- Z: TO-92
- P: TO-220
- F: TO-220F
- I: TO-251A (I-PAK)
- L: TO-261 (I2 PAK)
- D: TO-252 (D-PAK)
- E: TO-263 (D2-PAK)
- G: TO-3P
- J: TO-3PF
- K: TO-264
- Q: TO-247
- W: Wafer

Configuration

- 1,2: Single N
- 3,4: Single P
- 5: Dual N
- 7: Dual P
- 9: N-P Comp.
- 0: Comm. Drain Dual
- 6,8: TBD

V_{DS}

- 1,2: ~19V
- 3,4: 20V ~29V
- 5,6: 30V~39V
- 7,8: 40V~59V
- 9 : 60V~120V
- 0 : 121V~200V

Gate Drive

- 1,2: 1.5V
- 3,4: 2.5V
- 5,6: 4.5V
- 7,8: 10.0V
- 9,0: TBD

Serial Number

1st Suffix

- E: ESD
- S: Schottky Diode

2nd Suffix - Revision

- B: 1st rev.
- C: 2nd rev.

3rd Suffix - Packing

- U: Cu Wiring bonding

4rd Suffix - Packing

- T : Tube
- R: Tape & Reel

5th Suffix

- P : Pb free
- H : Halogen Free

- Cu wiring bonding option available in Red
- Tube Packag Option : B, P,F, I, L , G, J, K, Q

*Do not specify MOQ

Low-Voltage MOSFET (30V)



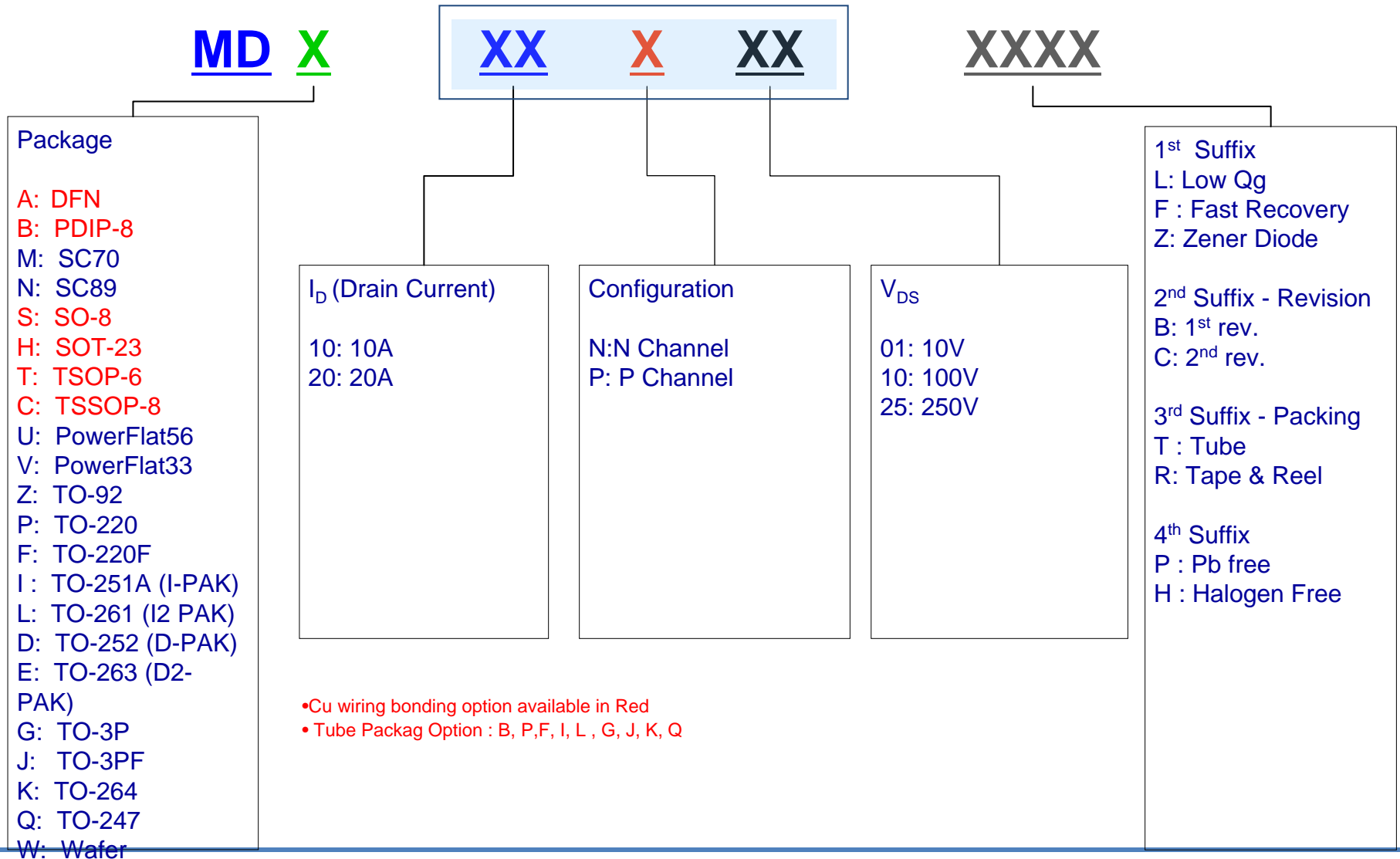
Product Family	Product Name	NPI	Configuration	Type	Vds(V)	IDS(A) @ 250C	Rds(ON) (mΩ max) at				Qg(nc)	ESD Diode	Package	Applications	MPQ
							10.0V	4.5V	2.5V	1.8V					
Nch 20V Trench MOSFET	MDW0332E	MP	Common Drain	N	20	7.5	16.0	19.0	29.0		Yes	Wafer	Battery Pack		
	MDH3331RP	MP	Single	P	-20	-3.5	-	75.0	105.0	-	7.0	Yes	SOT-23	General Purpose	180,000
Nch 30V Trench MOSFET	MDA0531EURH	MP	Common Drain	N	30	8.0	19	19	31		10.7	Yes	PowerDFN25	Battery Pack	70,000
	MDC0531ERH	MP	Common Drain	N	30	8.0	20	23	32		10.7	Yes	TSSOP	Battery Pack	36,000
	MDW0531E	MP	Common Drain	N	30	8.0	14	16	17		10.7	Yes	Wafer	Battery Pack	
	MDW0531EB	MP	Common Drain	N	30	8.0	14	16	17		10.7	Yes	Wafer	Battery Pack	
	MDW0531EC	MP	Common Drain	N	30	8.0	14	16	17		10.7	Yes	Wafer	Battery Pack	
	MDW0532E	MP	Common Drain	N	30	8.0	14	16	17		10.7	Yes	Wafer	Battery Pack	
	MDD1653RH	MP	Single	N	30	50.0	8.5	14			17.6		DPAK	Computing	36,000
	MDD1654RH	MP	Single	N	30	70.0	6	9.5			28.0		DPAK	Computing	36,000
	MDD1655RH	MP	Single	N	30	25.0	15	23			15.8		DPAK	Computing	36,000
	MDD1651RH	MP	Single	N	30	21.0	17	22			13.7		SOIC	Computing	36,000
	MDS1651URH	MP	Single	N	30	11.0	17	22			13.7		SOIC	Computing	36,000
	MDS1652URH	MP	Single	N	30	13.0	6.5	9.5			50.0		SOIC	Computing	36,000
	MDS1652AURH	WS	Single	N	30	18.0	5.5	8.5			50.0		SOIC	Computing	36,000
	MDS1653RH	MP	Single	N	30	12.0	12	17.5			17.6		SOIC	Computing	36,000
	MDS1654RH	MP	Single	N	30	15.0	9.5	13			13.7		SOIC	Computing	36,000
	MDS1655URH	MP	Single	N	30	9.3	17.5	25			15.8		SOIC	Computing	36,000
	MDS1656URH	MP	Single	N	30	7.2	28	42			6.9		SOIC	Computing	36,000
	MDS5651URH	MP	Dual	N	30	7.5	26	39			13.5		SOIC	BLU	36,000
	MDS5652URH	MP	Dual	N	30	8.0	22	35			12.0		SOIC	BLU	36,000
	MDS5601URH	Plan	Dual	N	30	TBD		16			TBD		SOIC	Computing	36,000
	MDSA5602URH	Plan	Dual	N	30	TBD		16/22			TBD		SOIC	Computing	36,000
	MDSB5602URH	Plan	Dual	N	30	TBD		16/22			TBD		SOIC	Computing	36,000
	MDS2662URH	Plan	Single	N	30	TBD		22			TBD		SOIC	Computing	36,000
	MDS1660URH	MP	Single	N	30	7.0	22.4	32.4			9.1		SOIC	Computing	36,000
	MDV1660URH	MP	Single	N	30	8.7	19.7	32.5			9.1		PowerDFN33	Computing	36,000
	MDU2652RH	MP	Single	N	30	34.9	2	2.8			66.6		PowerDFN56	Computing	36,000
	MDU2653RH	MP	Single	N	30	32.6	2.3	3.2			55.1		PowerDFN56	Computing	36,000
	MDU2654RH	MP	Single	N	30	27.6	3.2	4.5			42.5		PowerDFN56	Computing	36,000
	MDU2655RH	MP	Single	N	30	23.8	4.3	6.1			29.2		PowerDFN56	Computing	36,000
	MDU2656RH	MP	Single	N	30	19.6	6.3	9.2			20.6		PowerDFN56	Computing	36,000
	MDU2657RH	MP	Single	N	30	18.0	7.5	11.3			15.9		PowerDFN56	Computing	36,000
	MDU2661RH	Plan	Single	N	30	TBD	9	13			TBD		PowerDFN56	Computing	36,000
	MDV2655URH	MP	Single	N	30	16.1	5.8	7.8			30.0		PowerDFN33	Computing	36,000
MDV2656URH	MP	Single	N	30	14.2	7.4	10.4			20.0		PowerDFN33	Computing	36,000	
MDV2657URH	MP	Single	N	30	13.1	8.8	12.8			16.2		PowerDFN33	Computing	36,000	
MDV2658URH	MP	Single	N	30	11.8	10.8	16.3			12.0		PowerDFN33	Computing	36,000	
MDV2659URH	MP	Single	N	30	10.9	12.5	18.8			10.7		PowerDFN33	Computing	36,000	
MDV2660URH	MP	Single	N	30	8.7	19.7	32.5			6.0		PowerDFN33	Computing	36,000	
MDV2662URH	Plan	Single	N	30	TBD		22			TBD		PowerDFN33	Computing	36,000	

Low-Voltage MOSFET (30V to 100V)



Product Family	Product Name	NPI	Configuration	Type	Vds (V)	IDS(A) @ 250C	R _{DS(ON)} (mΩ max) at				Qg(nc)	ESD Diode	Package	Applications	HPQ
							10.0V	4.5V	2.5V	1.8V					
Nch 30V Trench MOSFET	MDS2655URH	MP	Single	N	30	13.8	5.8	7.8			28.0	SOIC	Computing	36,000	
	MDS2656URH	MP	Single	N	30	12.0	7.7	10.8			19.7	SOIC	Computing	36,000	
	MDS2657URH	MP	Single	N	30	10.9	9.3	12.8			16.1	SOIC	Computing	36,000	
	MDS2658URH	MP	Single	N	30	9.6	11.9	16.9			12.0	SOIC	Computing	36,000	
	MDS2659URH	ES	Single	N	30	9.0	13.5	19.2			10.8	SOIC	Computing	36,000	
	MDS2660URH	MP	Single	N	30	7.0	22.3	32.3			5.9	SOIC	Computing	36,000	
	MDD2601RH	MP	Single	N	30	21.7	5.8	7.7			27.7	DPAK	Computing	36,000	
	MDD2602RH	MP	Single	N	30	20.9	6.3	8.5			23.4	DPAK	Computing	36,000	
	MDD2603RH	MP	Single	N	30	20.4	6.6	9			21.8	DPAK	Computing	36,000	
	MDD2604RH	MP	Single	N	30	20.2	6.7	9.8			18.8	DPAK	Computing	36,000	
	MDD2605RH	MP	Single	N	30	19.0	7.6	11.3			15.8	DPAK	Computing	36,000	
	MDD2606RH	MP	Single	N	30	16.8	9.7	13.8			14.8	DPAK	Computing	36,000	
	MDD2607RH	MP	Single	N	30	15.9	10.8	15.9			12.4	DPAK	Computing	36,000	
	MDD2608RH	MP	Single	N	30	TBD	TBD	TBD			TBD	DPAK	Computing	36,000	
	Pch 30V Trench MOSFET	MDS3651URH	MP	Single	P	-30	-5.3	35	55			18.4	SOIC	General Purpose	36,000
		MDS3652URH	MP	Single	P	-30	-10.0	18	36			18.0	SOIC	General Purpose	36,000
MDS3653URH		WS	Single	P	-30	-12.0	7	15				SOIC	Battery Pack	36,000	
MDS3601URH		WS	Single	P	-30	-12.0	13	17			30.0	SOIC	Computing	36,000	
MDS3602URH		WS	Single	P	-30	-11.0	18	34			20.0	SOIC	Computing	36,000	
N/P Dual 30V Trench MOSFET	MDS9651URH	MP	Complementary	N-P	30/-30	7.2/-5.3	28/35	42/55			6.9/18.4	SOIC	BLU	36,000	
	MDS9652EURH	MP	Complementary	N-P	30/-30	7.0/-6.0	23/35	30/52			11.0/15.0	SOIC	BLU	36,000	
Nch 40V Trench MOSFET	MDD1752RH	MP	Single	N	40.0	50.0	8	10.5			26.4	DPAK	BLU	36,000	
	MDE1752RH	MP	Single	N	40.0	66.0	8	10.5			26.4	D2-PAK	BLU	36,000	
	MDF1752TH	MP	Single	N	40.0	50.0	8	10.5			26.4	TO-220F	BLU	40,000	
	MDS1753EURH	MP	Single	N	40.0	7.9	27	35			9.8	SOIC	BLU	36,000	
	MDD1754RH	MP	Single	N	40.0	20.5	27	35			9.2	DPAK	BLU	36,000	
	MDS1754URH	MP	Single	N	40.0	7.6	29	37			9.2	SOIC	BLU	36,000	
	MDS751URH	MP	Dual	N	40/40	5.8	31	48			8.7	SOIC	BLU	36,000	
	MDS753EURH	MP	Dual	N	40/40	8.0	26	33			13.3	SOIC	BLU	36,000	
Pch 40V Trench MOSFET	MDD3754RH	MP	Single	P	-40	-24.4	43	58			19.2	DPAK	General Purpose	36,000	
	MDS3754URH	MP	Single	P	-40	-6.0	45	60			19.2	SOIC	General Purpose	36,000	
	MDS3754AURH	MP	Single	P	-40	-4.8	45	60			15.6	SOIC	General Purpose	36,000	
	MDS3753EURH	MP	Single	P	-40	-7.0	30	37			27.0	SOIC	General Purpose	36,000	
	MDD3752RH	MP	Single	P	-40	-43.0	16	25			40.0	DPAK	BLU	36,000	
	MDF3752UTH	MP	Single	P	-40	-50.0	16	25			40.0	TO-220F	BLU	40,000	
	MDD9754RH	MP	Complementary	N-P	40/-40	6.0/-12/7	27/43	35/58			9.2/19.2	DPAK	BLU	36,000	
N/P Dual 40V Trench MOSFET	MDS9754URH	MP	Complementary	N-P	40/-40	6.1/-4.8	29/45	37/60			9.2/19.2	SOIC	BLU	36,000	
	MDS9753EURH	MP	Complementary	N-P	40/-40	7.9/-7.0	27/30	35/37			9.8/27.0	SOIC	BLU	36,000	
	MDE9754RH	MP	Complementary	N-P	40/-40	23/-24.6	27/43	35/58			9.2/19.2	D2-PAK	BLU	36,000	
	MDS9754AURH	MP	Complementary	N-P	40/-40	6.1/-4.8	29/45	37/60			9.2/15.6	SOIC	BLU	36,000	
	MDD1851RH	MP	Single	N	45	50.0	9	11.5			30.3	DPAK	BLU	36,000	
Nch 45V Trench MOSFET	MDS6951URH	MP	Dual	N	60/60	4.5	50	60			9.0	SOIC	BLU	36,000	
	MDB6951UTH	MP	Dual	N	60/60	4.5	50	60			9.0	PDIP	BLU	36,000	
Nch 100V Trench MOSFET	MDD1901RH	ES	Single	N	100	34.0	22	45			75.0	DPAK	BLU	36,000	
	MDP1901TH	ES	Single	N	100	34.0	22	45			75.0	TO-220	BLU	40,000	
	MDE1901TH	ES	Single	N	100	TBD	22	45			TBD	D2-PAK	BLU	36,000	
	MDD1902RH	Plan	Single	N	100	TBD	25	50			35.0	DPAK	BLU	36,000	

HV MOSFET



*Do not specify MOQ

High Voltage MOSFET (400V & 500V)



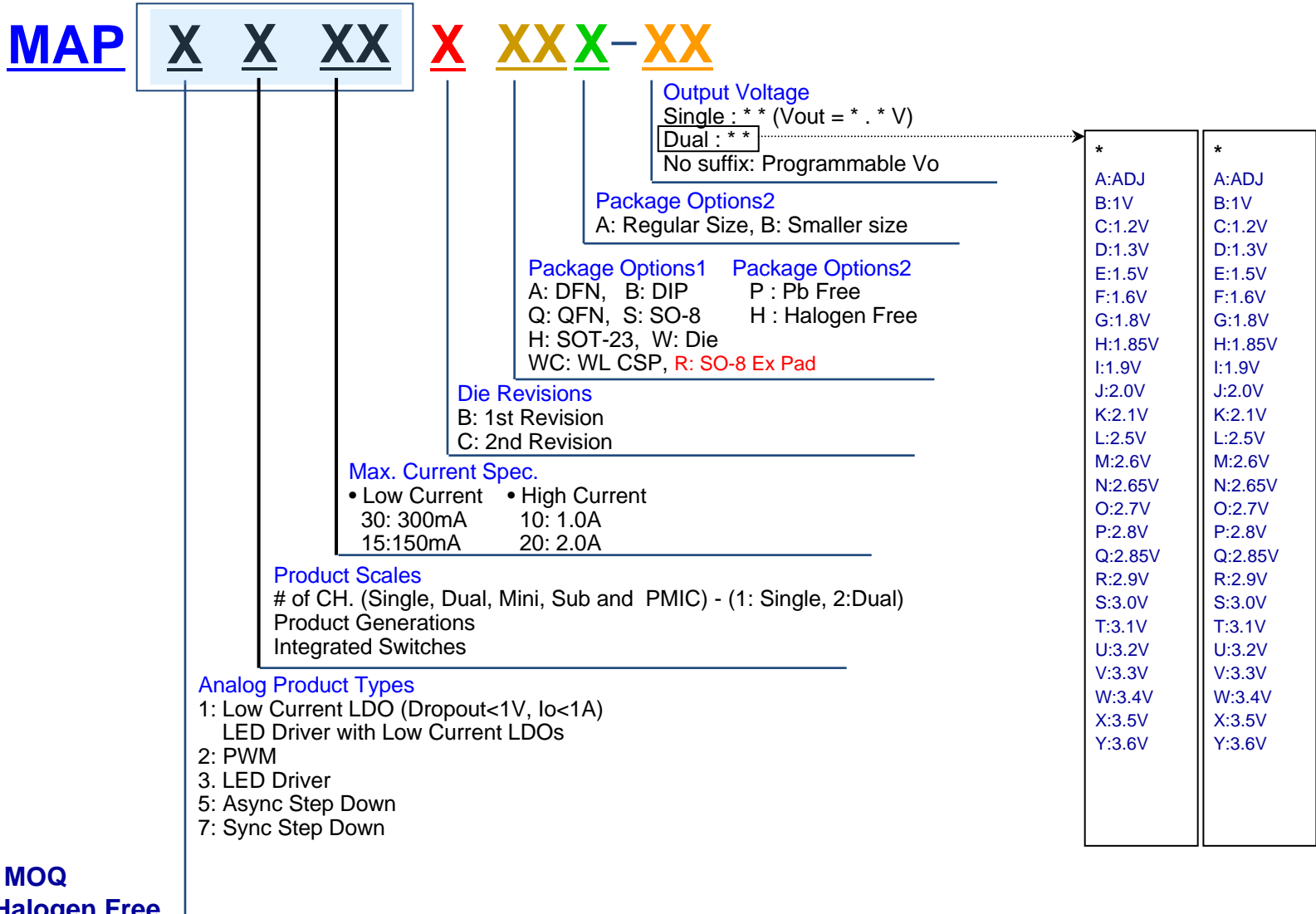
Product Family	Product Name	V _{dss}	I _d (A)	R _{ds} (Ω)		t _{rr} (ns)	Options	Package	Applications	MOQ
				Max	Typical					
Nch 400V Planar-Standard	MDI3N40TH	400	3	2.80	3.40	5.1	STD	IPAK	BLU	40,000
	MDHT3N40URH	400	3	2.80	3.40	5.1	STD	SOT-223	BLU	36,000
	MDI5N40TH	400	5	1.50	1.20	9.0	STD	IPAK	BLU	40,000
Nch 500V Planar-Standard	MDD3N50RH	500	3	2.50	2.10	6.0	STD	DPAK	Power Supply	36,000
	MDP5N50TH	500	5	1.40	1.15	12.2	STD	TO-220	Power Supply	40,000
	MDF5N50TH	500	5	1.40	1.15	12.2	STD	TO-220F	Power Supply	40,000
	MDD5N50RH	500	4.4	1.40	1.15	12.2	STD	DPAK	Power Supply	36,000
	MDI5N50TH	500	4.4	1.40	1.15	12.2	STD	IPAK	Power Supply	40,000
	MDP7N50TH	500	7	0.90	0.76	17.5	STD	TO-220	Power Supply	40,000
	MDF7N50TH	500	7	0.90	0.76	17.5	STD	TO-220F	Power Supply	40,000
	MDP9N50TH	500	9	0.85	0.72	19.0	STD	TO-220	Power Supply	40,000
	MDF9N50TH	500	9	0.85	0.72	19.0	STD	TO-220F	Power Supply	40,000
	MDP10N50TH	500	10	0.75	0.65	20.4	STD	TO-220	Power Supply	40,000
	MDF10N50TH	500	10	0.75	0.65	20.4	STD	TO-220F	Power Supply	40,000
	MDP12N50TH	500	12	0.65	0.55	22.7	STD	TO-220	Power Supply	40,000
	MDF12N50TH	500	12	0.65	0.55	22.7	STD	TO-220F	Power Supply	40,000
	MDP13N50TH	500	13	0.5	0.39	33.0	STD	TO-220	Power Supply	40,000
	MDF13N50TH	500	13	0.5	0.39	33.0	STD	TO-220F	Power Supply	40,000
	MDP18N50TH	500	18	0.265	0.22	48.0	STD	TO-220	Power Supply	40,000
	MDF18N50TH	500	18	0.265	0.22	48.0	STD	TO-220F	Power Supply	40,000
	Nch 500V Planar - FRD	MDP5N50FTH	500	4.4	1.55	1.25	12.2	FRD	TO-220	Power Supply
MDF5N50FTH		500	4.4	1.55	1.25	12.2	FRD	TO-220F	Power Supply	40,000
MDD5N50FTH		500	4.4	1.55	1.25	12.2	FRD	DPAK	Power Supply	36,000
MDP9N50FTH		500	8	0.94	0.80	17.5	FRD	TO-220	Power Supply	40,000
MDF9N50FTH		500	8	0.94	0.80	17.5	FRD	TO-220F	Power Supply	40,000
MDP12N50FTH		500	11.5	0.72	0.61	22.7	FRD	TO-220	Power Supply	40,000
MDF12N50FTH		500	11.5	0.72	0.61	22.7	FRD	TO-220F	Power Supply	40,000
Nch 500V Planar - Zener	MDF5N50ZTH	500	5	1.40	1.15	12.2	Zener	TO-220F	Power Supply	40,000
	MDP5N50ZTH	500	5	1.40	1.15	12.2	Zener	TO-220	Power Supply	40,000
	MDD5N50ZRH	500	5	1.40	1.15	12.2	Zener	DPAK	Power Supply	36,000

High Voltage MOSFET (600V)



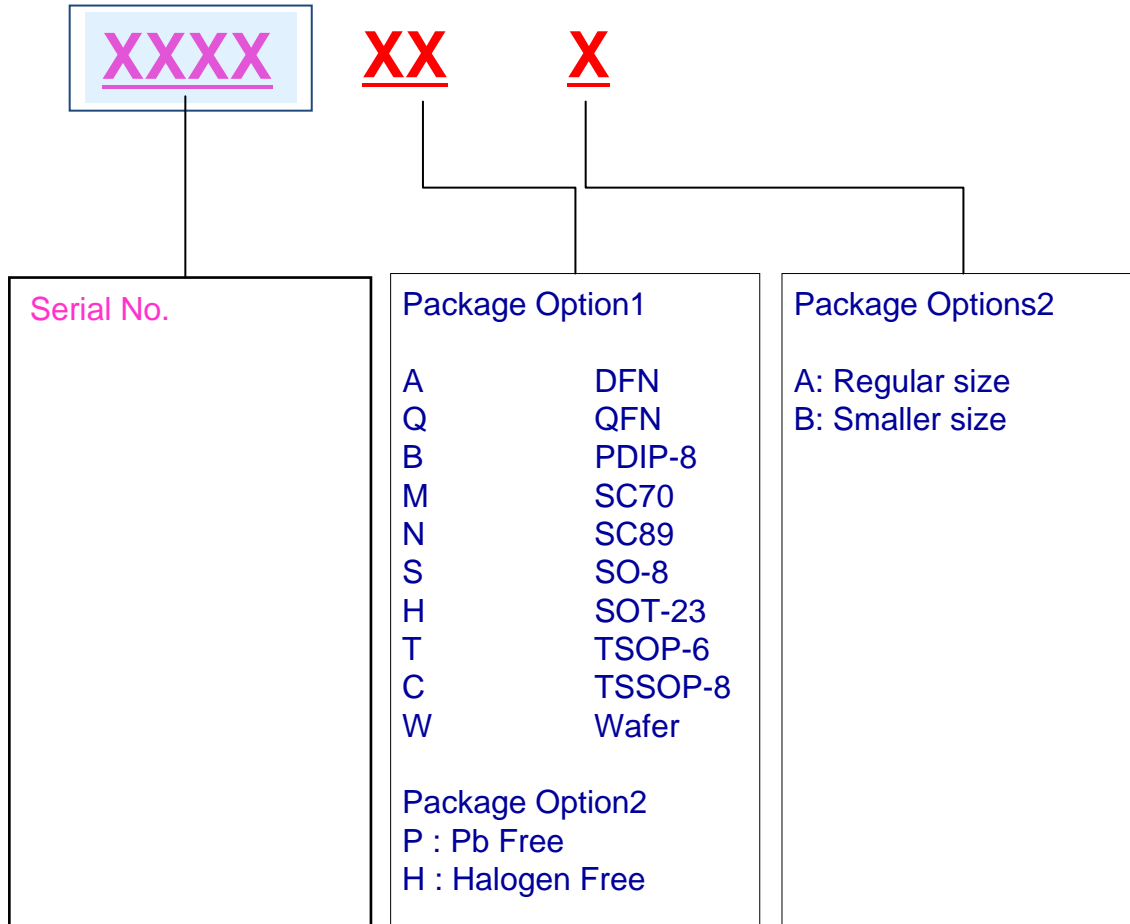
Product Family	Product Name	Vdss	Id(A)	Rds(Ω)		trr(ns)	Options	Package	Applications	MOQ
				Max	Typical					
Nch 600V Planar -Standard	MDZ1N60UMH	600	1	8.5	8.0	5.0	STD	TO-92	Power Supply	TBD
	MDI1N60STH	600	1	8.5	8.0	5.0	STD	IPAK	Power Supply	40,000
	MDP2N60TH	600	2	3.5	3.2	7.3	STD	TO-220	Power Supply	40,000
	MDF2N60TH	600	2	3.5	3.2	7.3	STD	TO-220F	Power Supply	40,000
	MDI2N60TH	600	2	3.5	3.2	7.3	STD	IPAK	Power Supply	40,000
	MDD2N60TH	600	2	3.5	3.2	7.3	STD	DPAK	Power Supply	36,000
	MDP4N60TH	600	4	2.22	1.85	11.2	STD	TO-220	Power Supply	40,000
	MDF4N60TH	600	4	2.22	1.85	11.2	STD	TO-220F	Power Supply	40,000
	MDI4N60TH	600	4	2.22	1.85	11.2	STD	IPAK	Power Supply	40,000
	MDD4N60TH	600	4	2.22	1.85	11.2	STD	DPAK	Power Supply	36,000
	MDP6N60TH	600	6	1.4	1.25	15.0	STD	TO-220	Power Supply	40,000
	MDF6N60TH	600	6	1.4	1.25	15.0	STD	TO-220F	Power Supply	40,000
	MDI6N60TH	600	6	1.4	1.25	15.0	STD	IPAK	Power Supply	40,000
	MDD6N60TH	600	6	1.4	1.25	15.0	STD	DPAK	Power Supply	36,000
	MDP7N60TH	600	7	1.10	1.00	17.8	STD	TO-220	Power Supply	40,000
	MDF7N60TH	600	7	1.10	1.00	17.8	STD	TO-220F	Power Supply	40,000
	MDP8N60TH	600	8	0.95	0.85	21.0	STD	TO-220	Power Supply	40,000
	MDF8N60TH	600	8	0.95	0.85	21.0	STD	TO-220F	Power Supply	40,000
	MDP9N60TH	600	9	0.75	0.65	27.0	STD	TO-220	Power Supply	40,000
	MDF9N60TH	600	9	0.75	0.65	27.0	STD	TO-220F	Power Supply	40,000
	MDP11N60TH	600	11	0.55	0.45	44.0	STD	TO-220	Power Supply	40,000
MDF11N60TH	600	11	0.55	0.45	44.0	STD	TO-220F	Power Supply	40,000	

Analog Power IC



Analog Switch

MSI
Interface
Signal
MagnaChip



*Do not specify MOQ

*All Product is Halogen Free

Power IC (LDO, Swithes LED Driver & DC-DC)



Product Family	Product Name	Descrp.	Package	Appls
Single & Dual LDO	MAP1115	1 Ch	DFN-4L	Mobile Phone
	MAP1230	2 Ch	DFN-8L	Mobile Phone
	MAP1210	2 Ch	DFN-6L	Mobile Phone
Switches	MI5A123ZRE	Single SPDT	DFN-4L	Mobile Phone
	MSI2021QH	Dual SPDT	QFN10L	Mobile Phone
	MSI2001QH	USB High Speed	QFN10L	Mobile Phone
	MAP9131	1CH USB PWR SW	SOT-23-5L	LCD TV/NotePC
	MAP9301	2CH USB PWR SW	SOIC-8L	LCD TV/NotePC
LED Driver	MAP1040	4 Ch. LED Driver	DFN-8L	Mobile Phone
	MAP3106	6Ch. LED Driver	QFN-20L	Note PC
	MAP3161	6Ch. LED Driver	QFN-20L	Note PC
	MAP3202SIH	LED Driver for TV	SOP16	LED TV
DC-DC	MAP5130	3A Asyn Buck	8SOIC-EP	LCD TV
	MAP7130	3A Sync Buck	8SOIC-EP	LCD TV
	MAP7501	600mA Synn Buck	DFN-6L	LCD Module