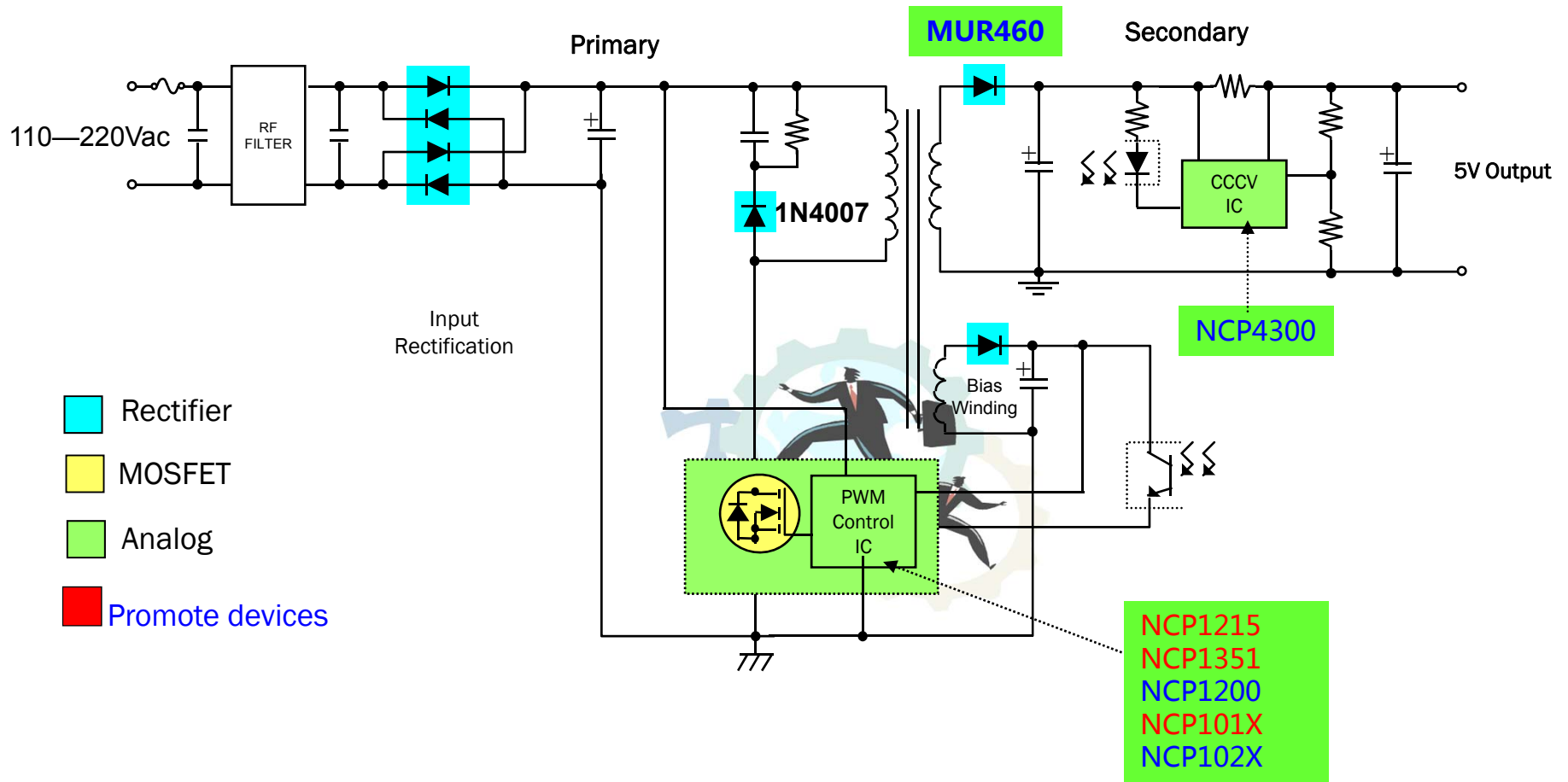


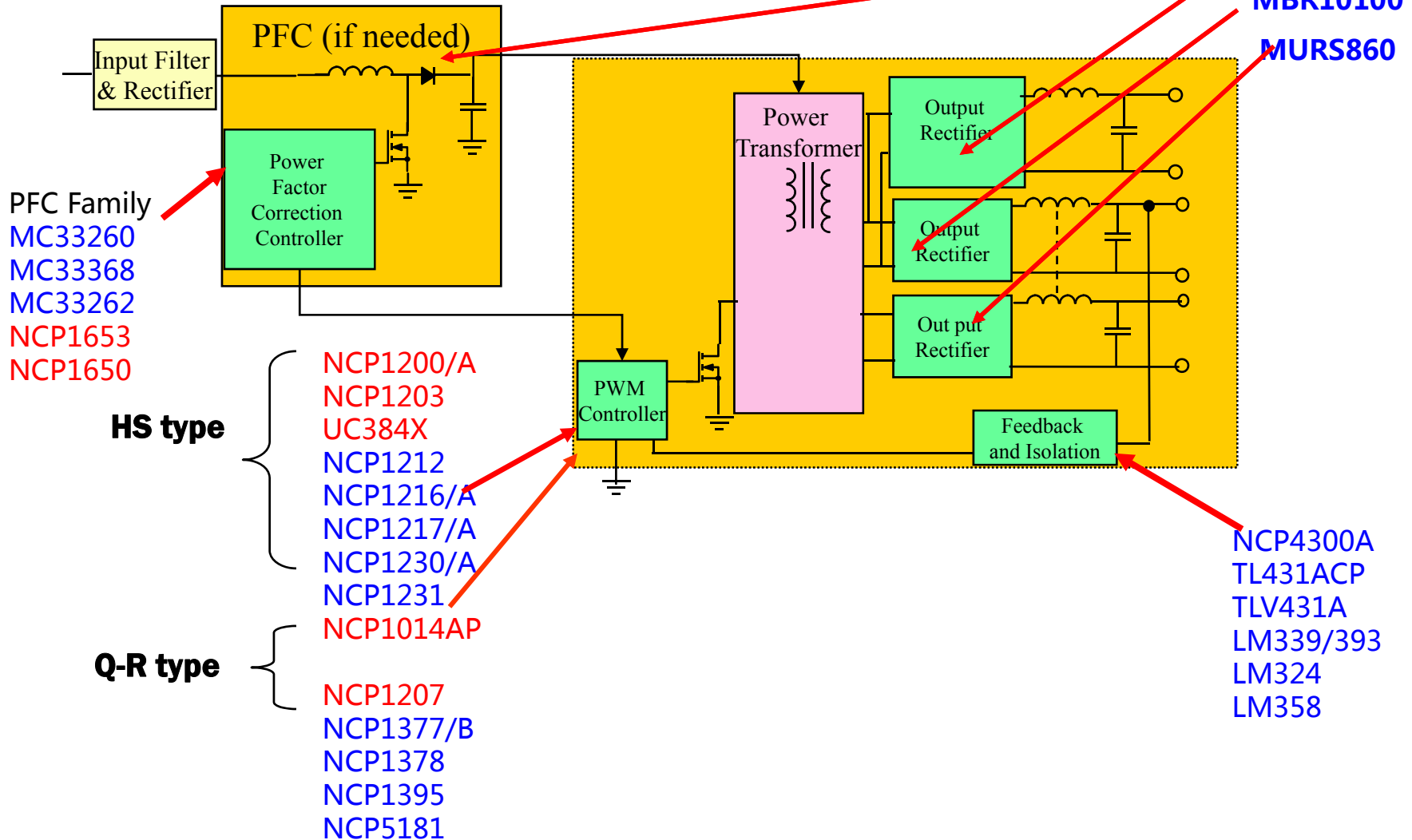
Sales Tools For Onsemi Product Line

By Jiyuan PM:Lawson Liu



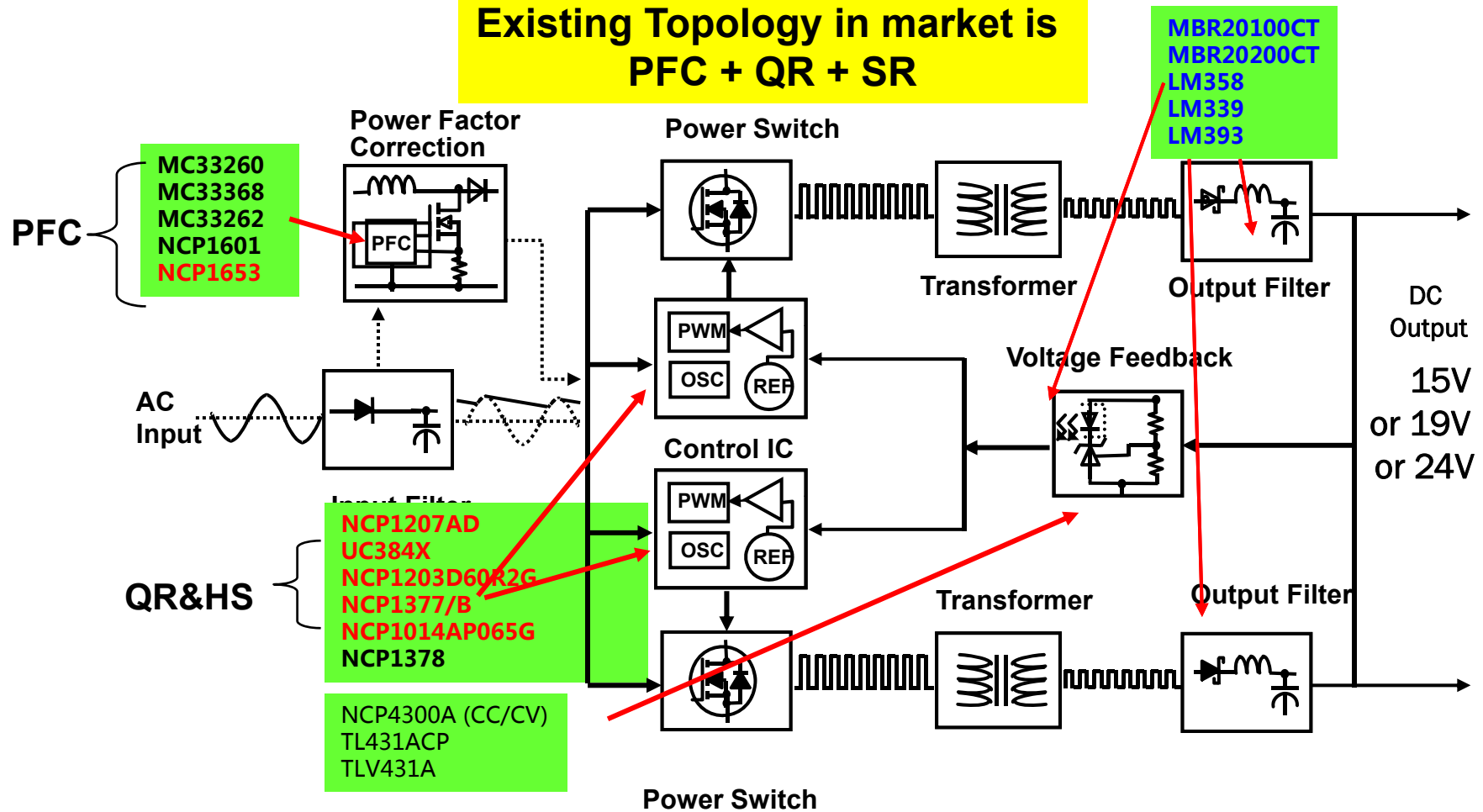
Solutions for External Adaptor (LCD TV, Notebook)

--- Input power > 75W ---





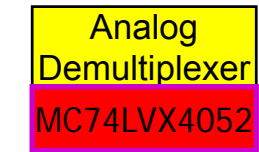
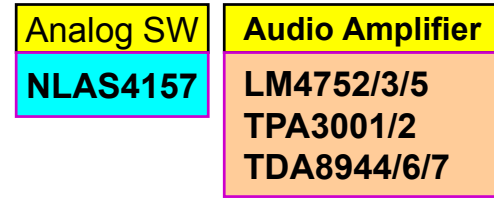
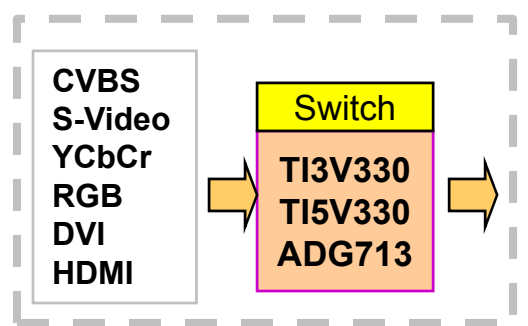
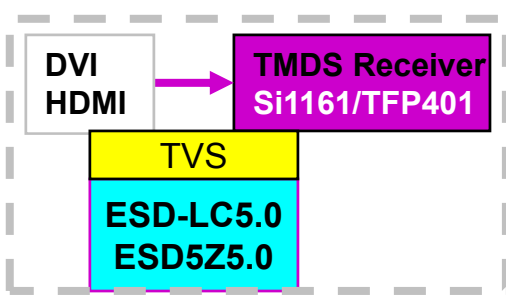
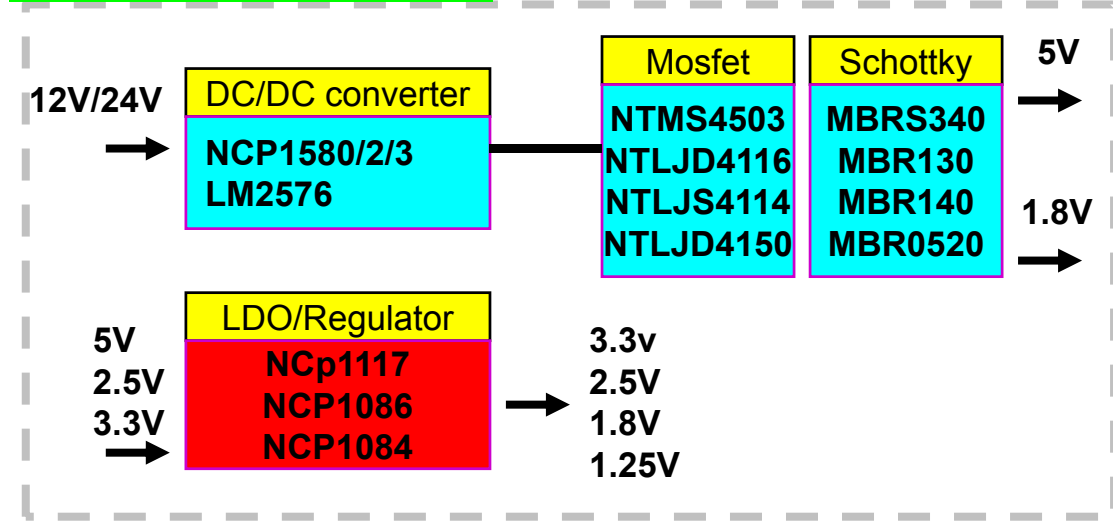
Existing Topology in market is PFC + QR + SR



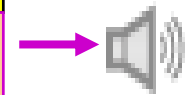
MBR20100CT
 MBR20200CT
 LM358
 LM339
 LM393



Mainly Power Management

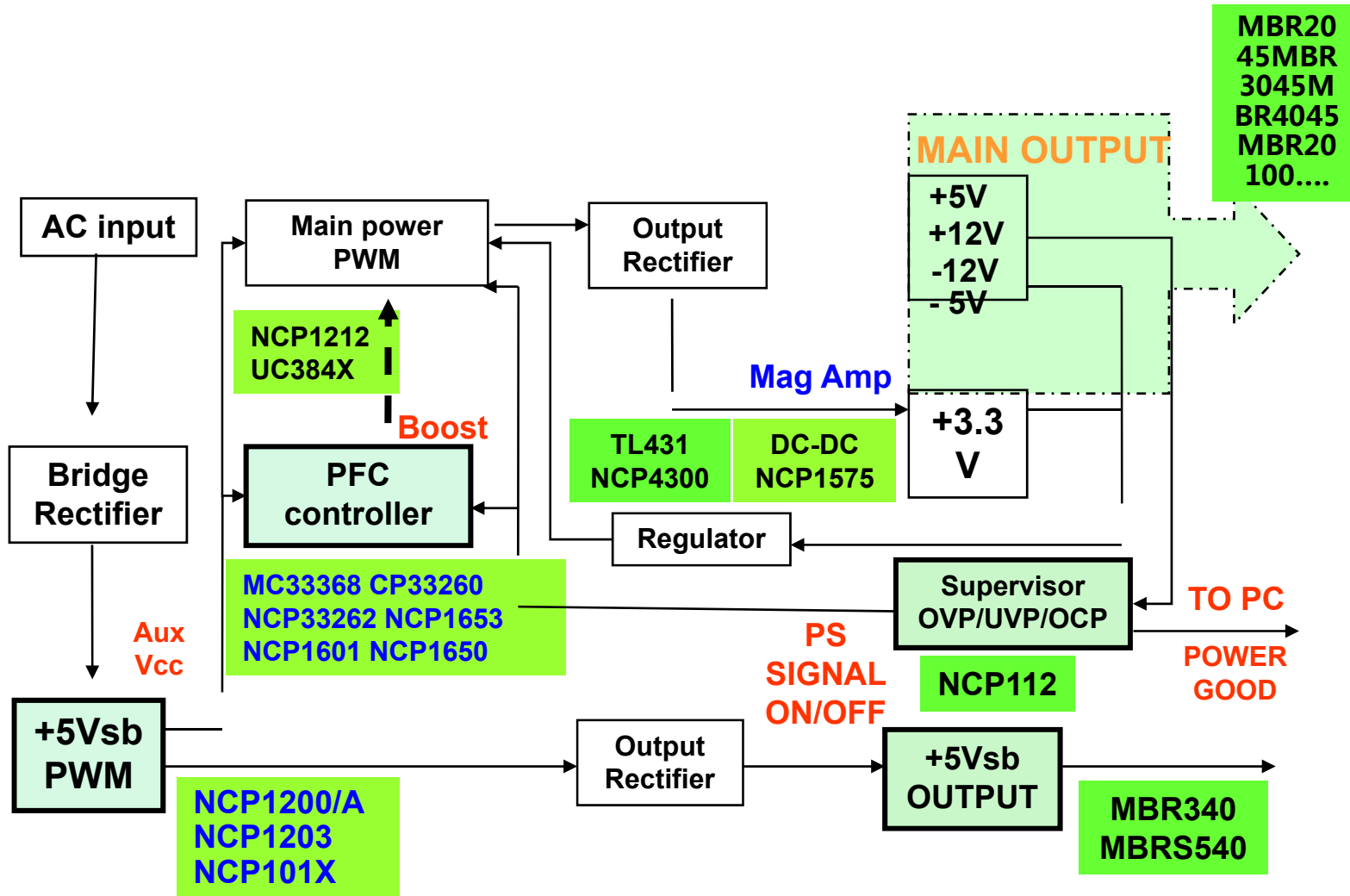


- Commodity P/N**
- 2N7002
 - MMBT3904
 - MMBT3906
 - BAV99L
 - BAV199
 - LM358
 - LM833
 - LM317
 - MC74ACT08DT
 - MC7805
 - MC78M08CDT



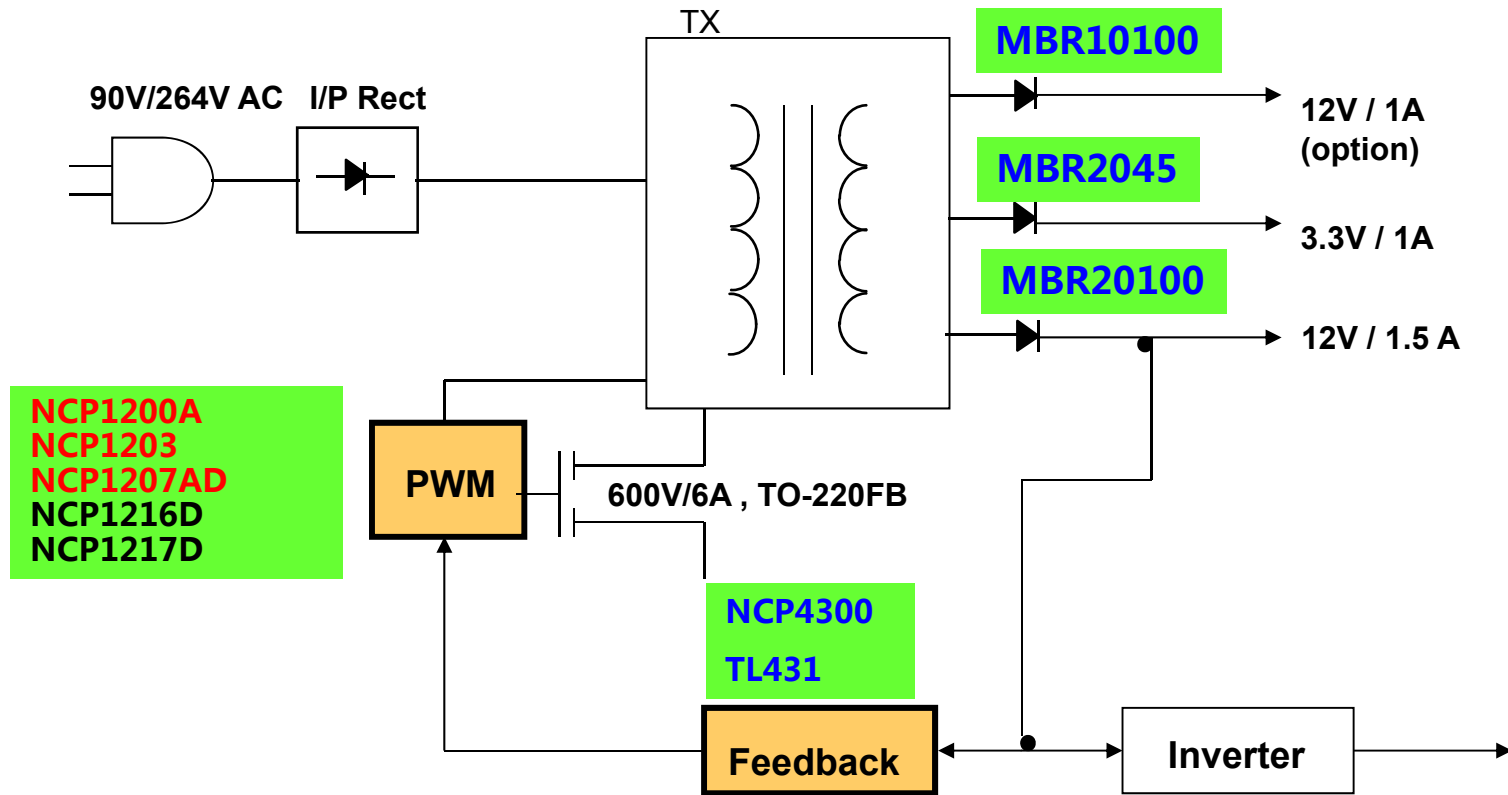
Remark

- Competitive Product
- Commodity Product
- Need develop Product

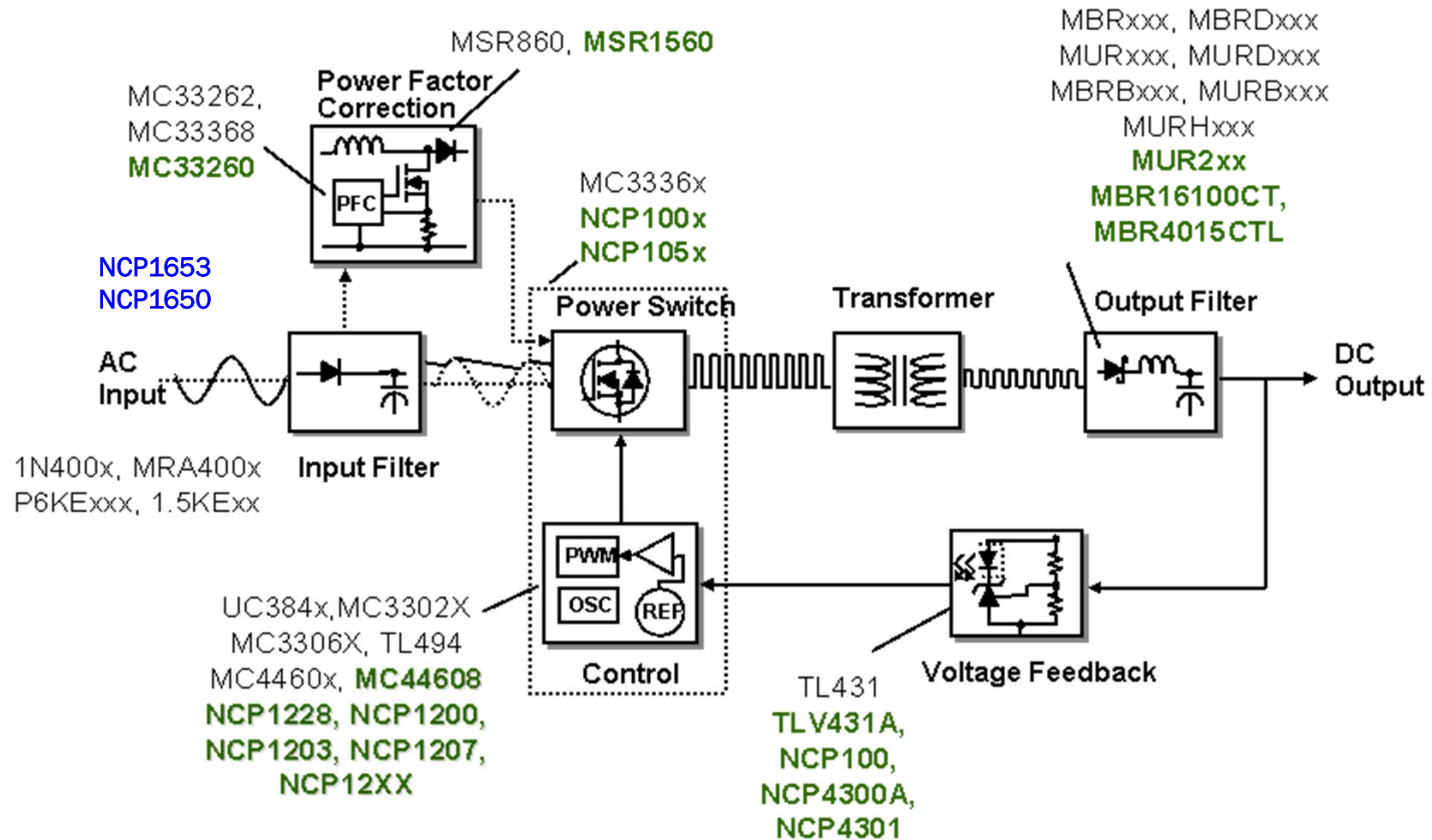


LCD Monitor Power Supply

---Open frame type---



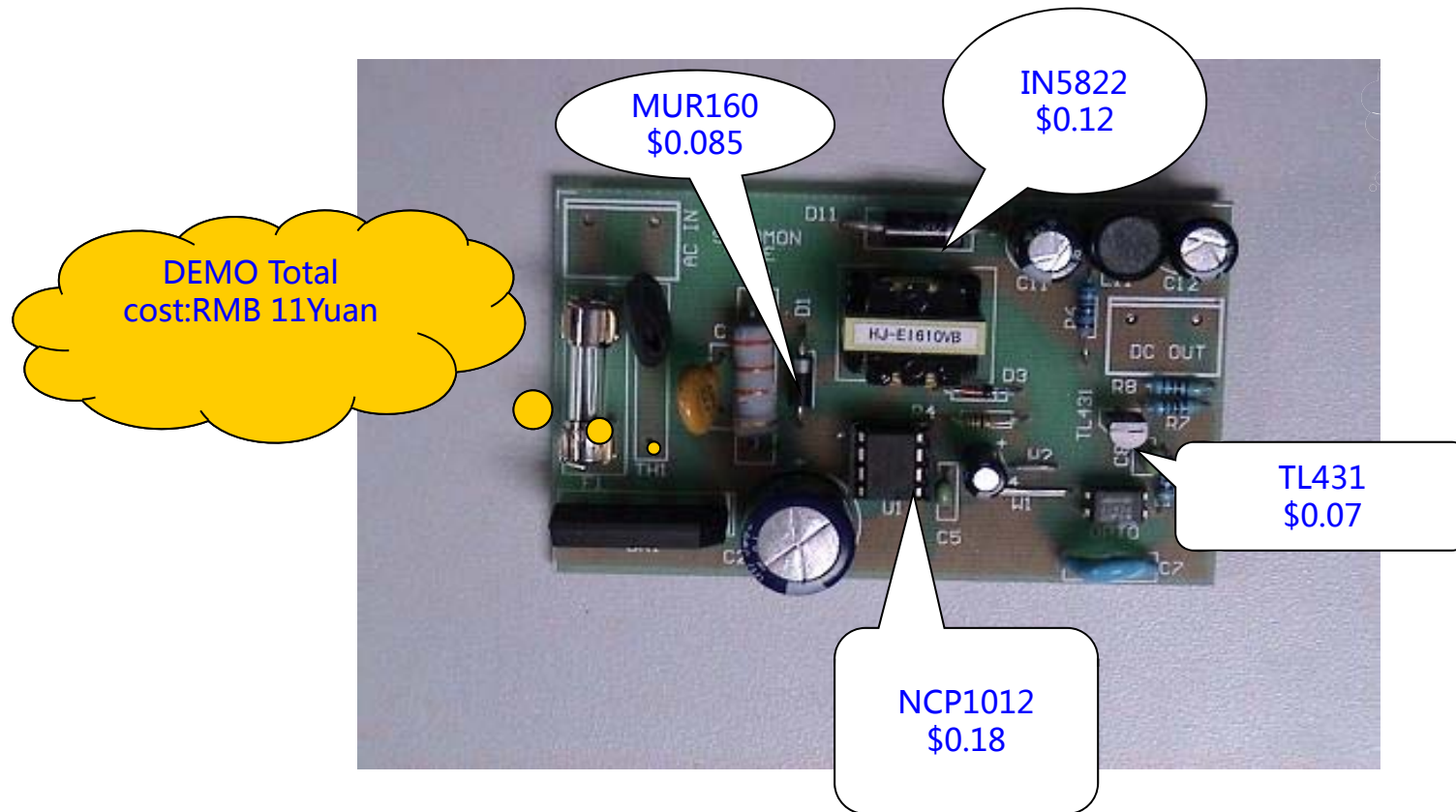
AC/DC Power Conversion Applications



Key Devices Explain

P/N	Function	Competitor Devices	Application Filed&Customer
NCP1200P60	10W to 60W Power Supply Controller . Feature:Low Standby Power	ST/Fairchild/TaiWan : UC3842/3/4	Air-condition controll board Power Supply LCD TV/Monitor/ Adapter of notebook
NCP1207AD	40-100W Quasi-Resonant Operation PWM controller Feature:Quasi-Resonant Operation easily EMI PASS or used for Synchronous Rectifier	Philips:TDA1352	LCD TV/Monitor/ Adapter of notebook Customer
NCP1203	20-100W Power Supply Feature:Under voltage protection.Main use for accuracy overload protection	ST/Fairchild/TaiWan : UC3842/3/4	Batter charge or Adapter of notebook
NCP1351	Low cost High performance	Infineon:20356/PI:TIP:series	Adapter
NCP1012/4	PWM+MOSEF controller:Feature integrate Self-Supplied Monolithic Switcher for Low Standby-	Pin to Pin replaced PI Tiny267.only changed Vcc capacitor from 0.1uF to 10V/50V	STB /DesktopDVD power supply/Portable charge
NCP1215	PWM controller		portable charger
NCP1653	It is very easy to use in our end customer.few pin ,High performance		LCD TV/Monitor/ Adapter of notebook Customer Name: JianKui / CiYang SPI

Demo instruction



Power out:3.5W

Typical Applications

- **AC/DC Adapters for Portable Devices**
- **Offline Battery Chargers (Cell Phone)**
- **Auxiliary Power Supplies (USB, Appliances, TVs, etc.)**

We can supply the following files

Schematic

Bill of Material

Print Circuit Board

Main used devices:

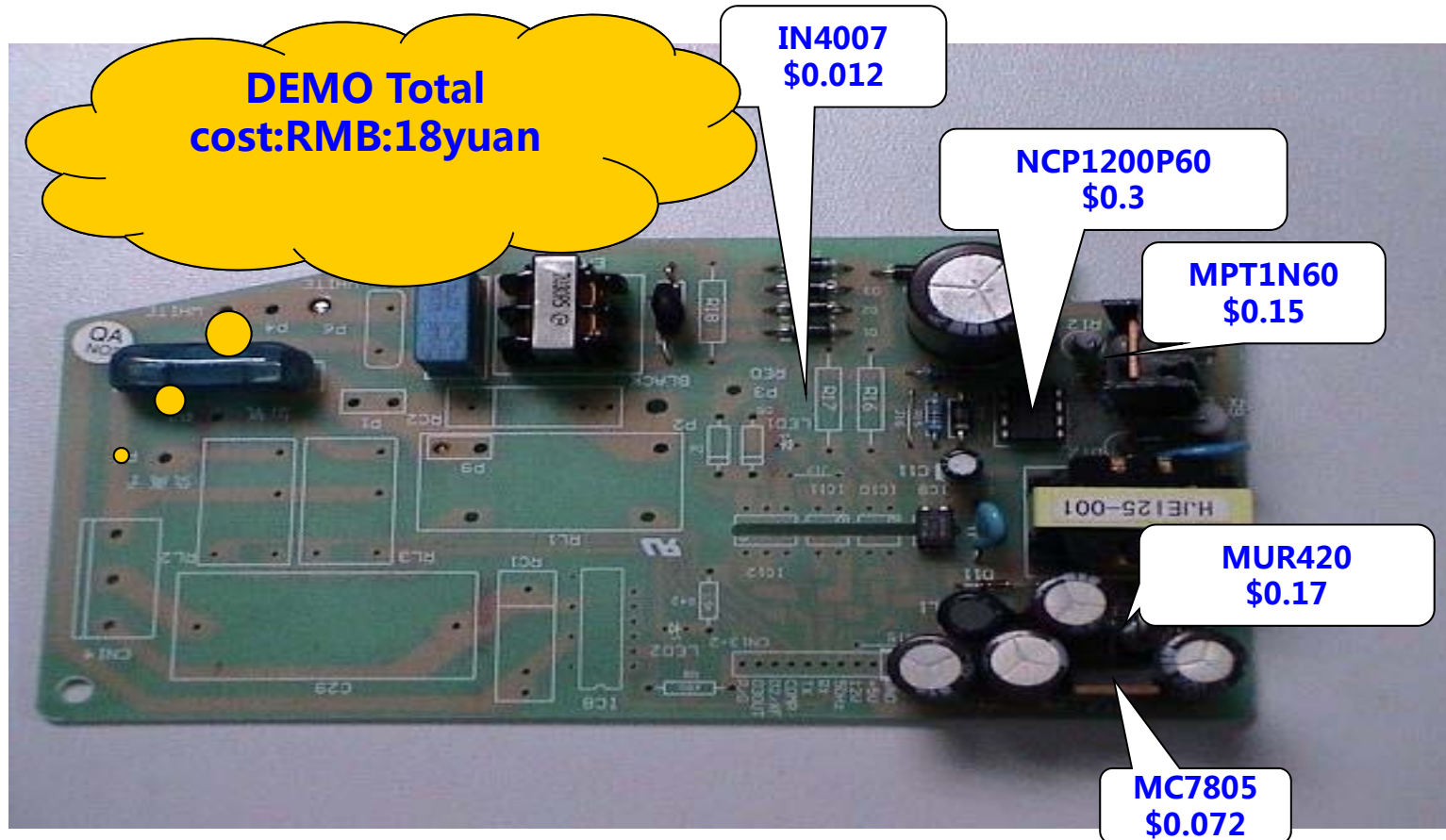
NCP1012AP065

IN5822 Onsemi&BCD

LT431 Onsemi&BCD

MUR160 Onsemi&BCD

Air-condition or wash machine controller board Power supply



Power out:12W (5V/400mA 12V/800mA)

Typical Applications

- **AC/DC Adapters for Portable Devices**
- **Air-condition & Wash machine Controller power supply)**
- **Auxiliary Power Supplies (USB, Appliances, TVs, etc.)**

We can supply the following file

Schematic

Bill of Material

Print Circuit Board

Mainly used devices:

NCP1200P60. ONsemi

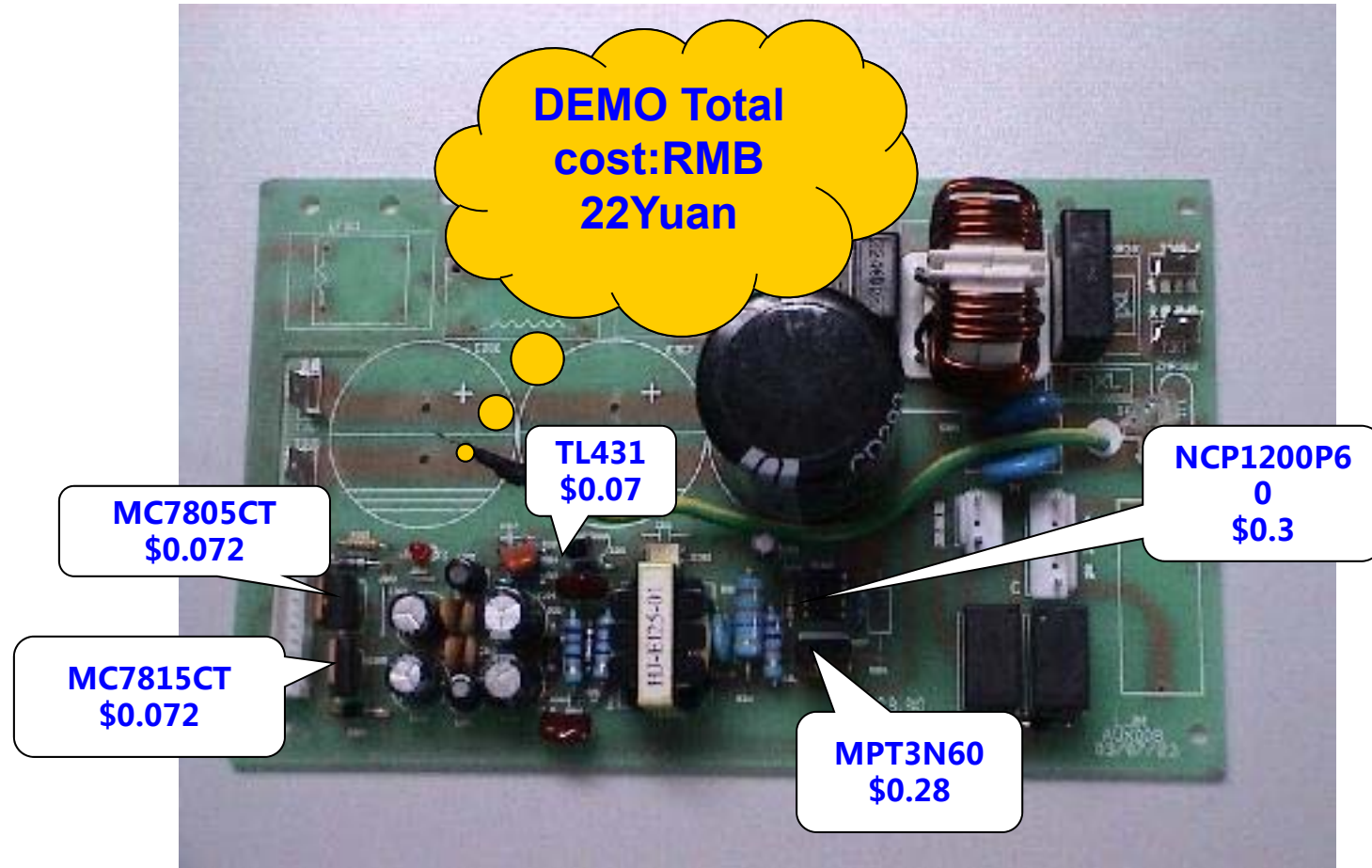
IN4007 ONsemi&BCD

MPT1N60 ONsemi&BCD

MUR420 ONsemi

MC7805CT ONsemi&BCD

20W Air-condition /wash machine power supply



Power out:20W(5V/12V/+15V/-15V)

Typical Applications

- **Air-condition/wash machine power supply**
- **Offline Battery Chargers**
- **Auxiliary Power Supplies (USB, Appliances, TVs, etc.)**

We can supply the following files

Schematic

Bill of Material

Print Circuit Board

Mainly used devices:

NCP1200P60.

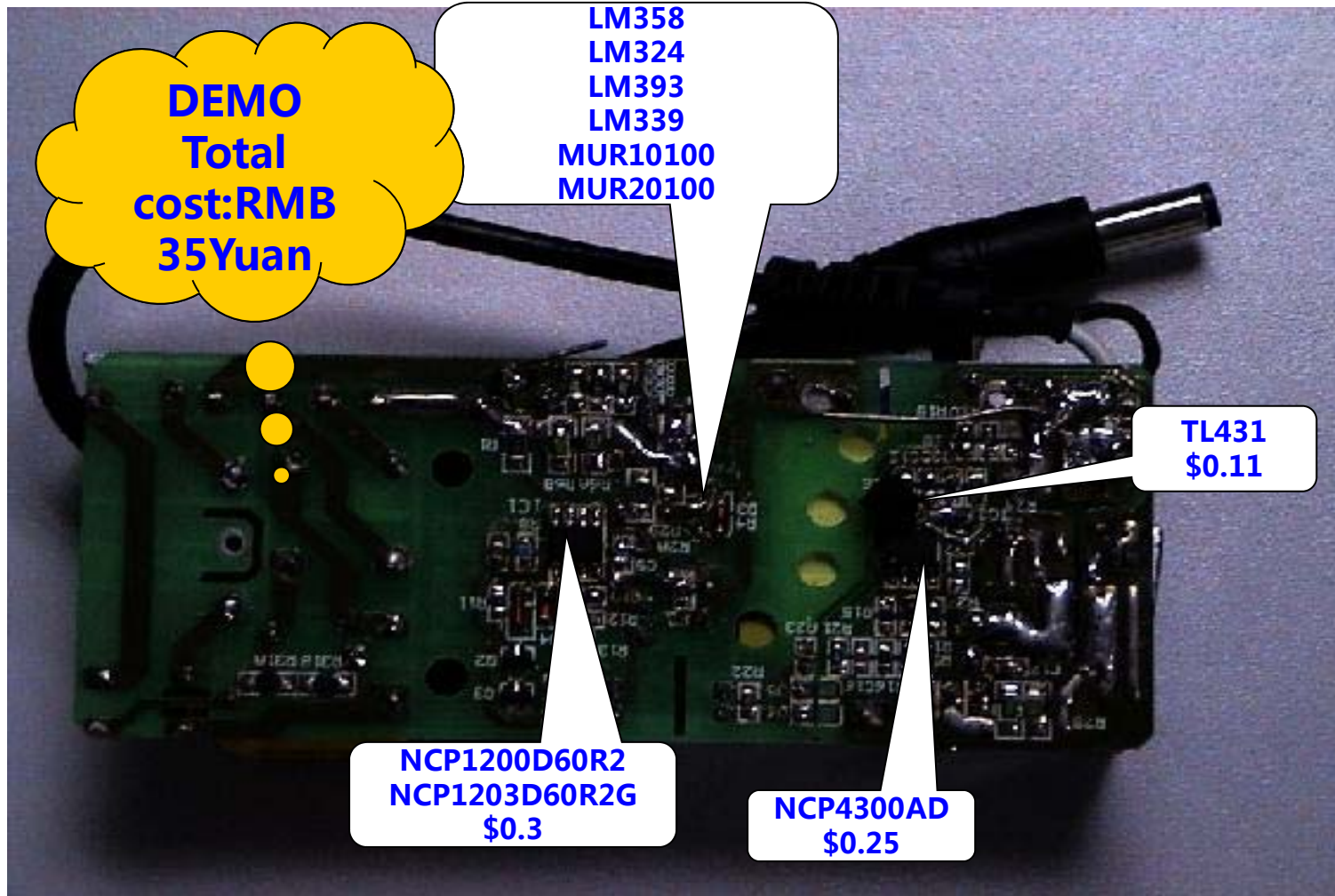
IN5822

LT431

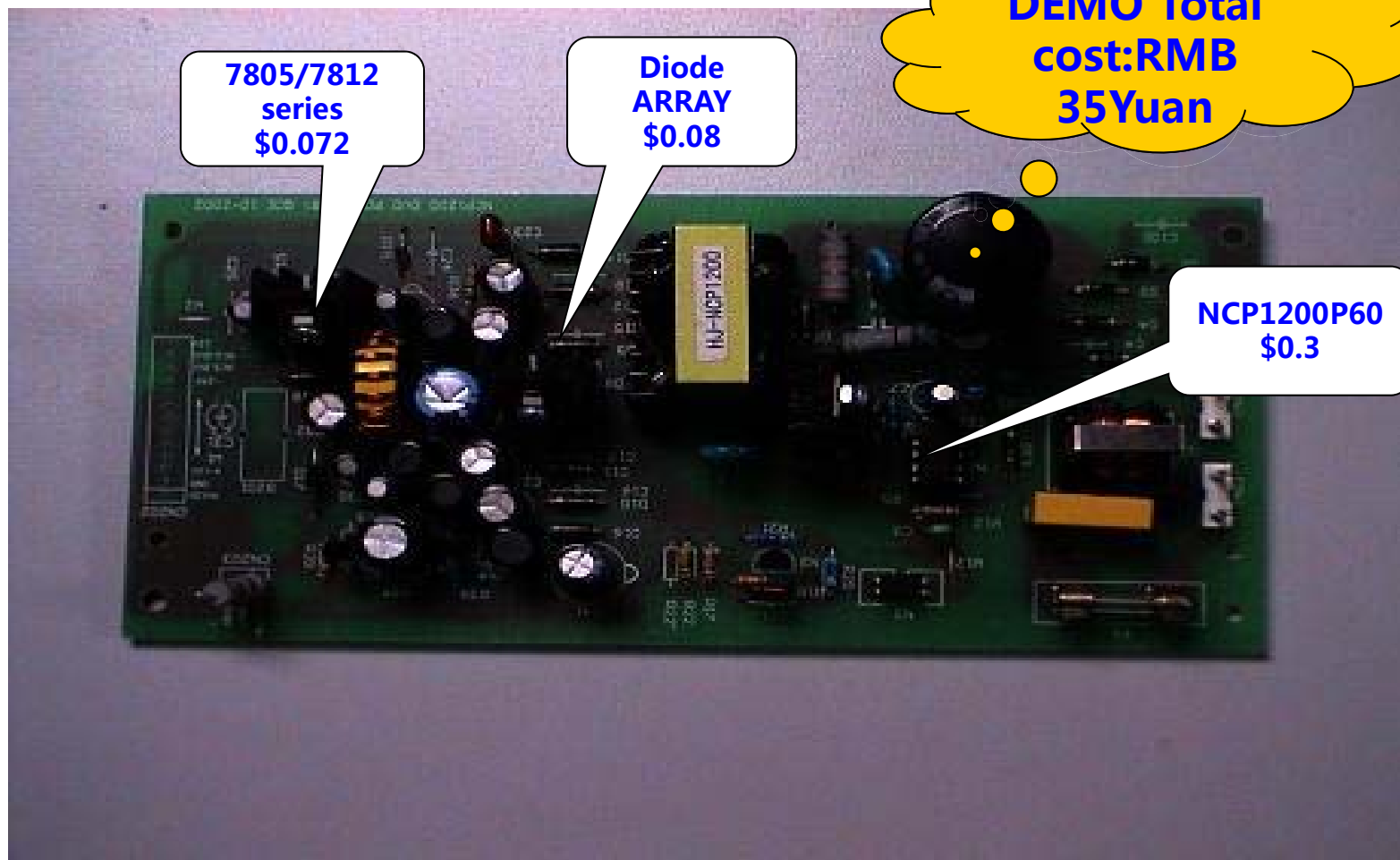
MUR160

MC7805/7815

60W Notebook/Monitor Power Supply Adapter



20W DVD Solution



Power output :20W

Typical Applications

- **AC/DC Adapters for Portable Devices**
- **DVD VCD STB power supply**
- **Auxiliary Power Supplies (USB, Appliances, TVs, etc.)**

We can supply the following files

Schematic

Bill of Material

Print Circuit Board

Main used devices:

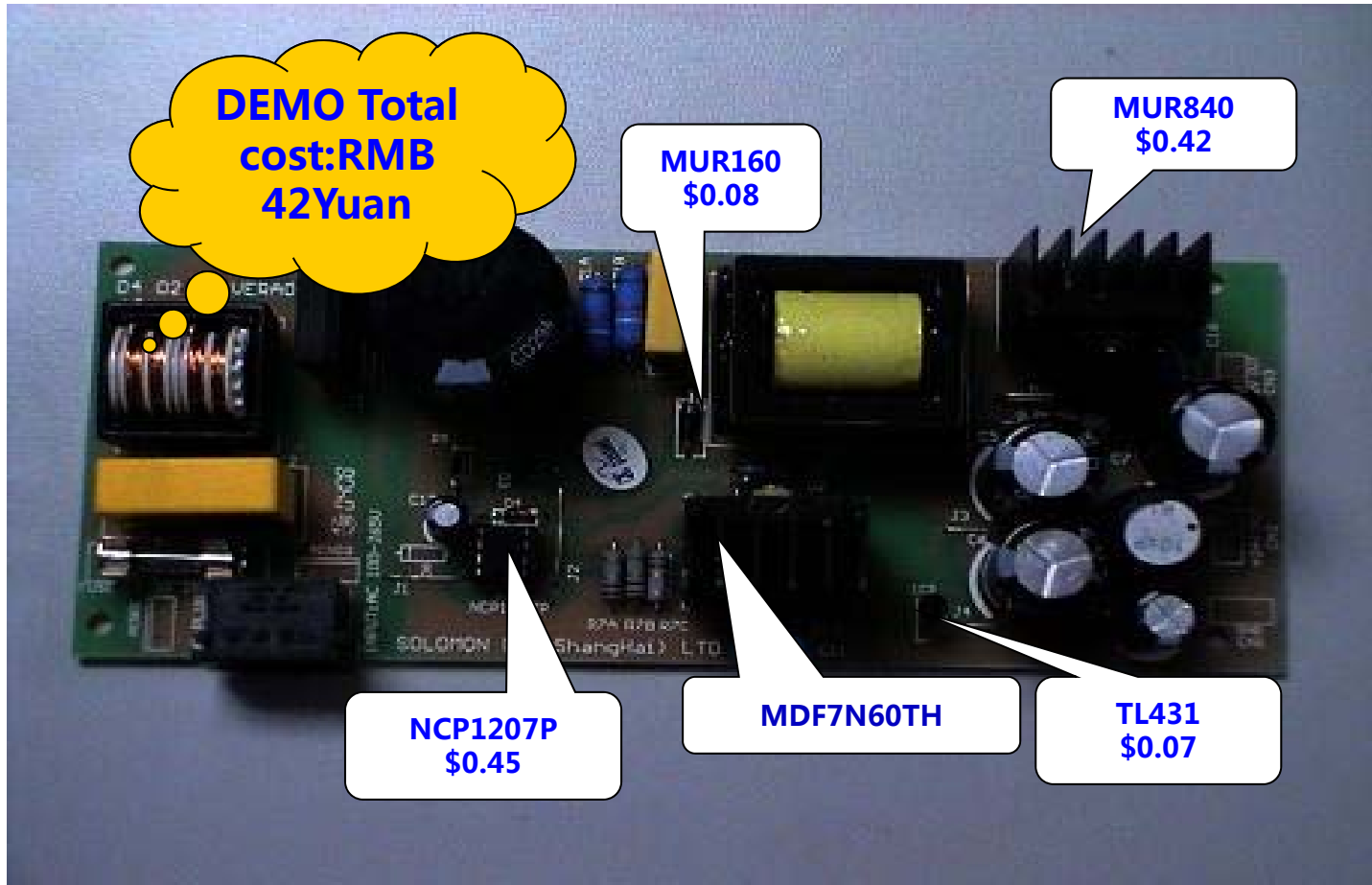
NCP1200P60G

IN5822

LT431

MUR160

70W LCD TV Or Industrial Power Supply



Power out:70W

Typical Applications

- **LCD monitor or industrial adapter**
- **Offline Battery Chargers (E-Bike)**
- **Easy modified Out put Power**

We can supply the following file

Schematic

Bill of Material

Print Circuit Board

Mainly used devices:

NCP1207P

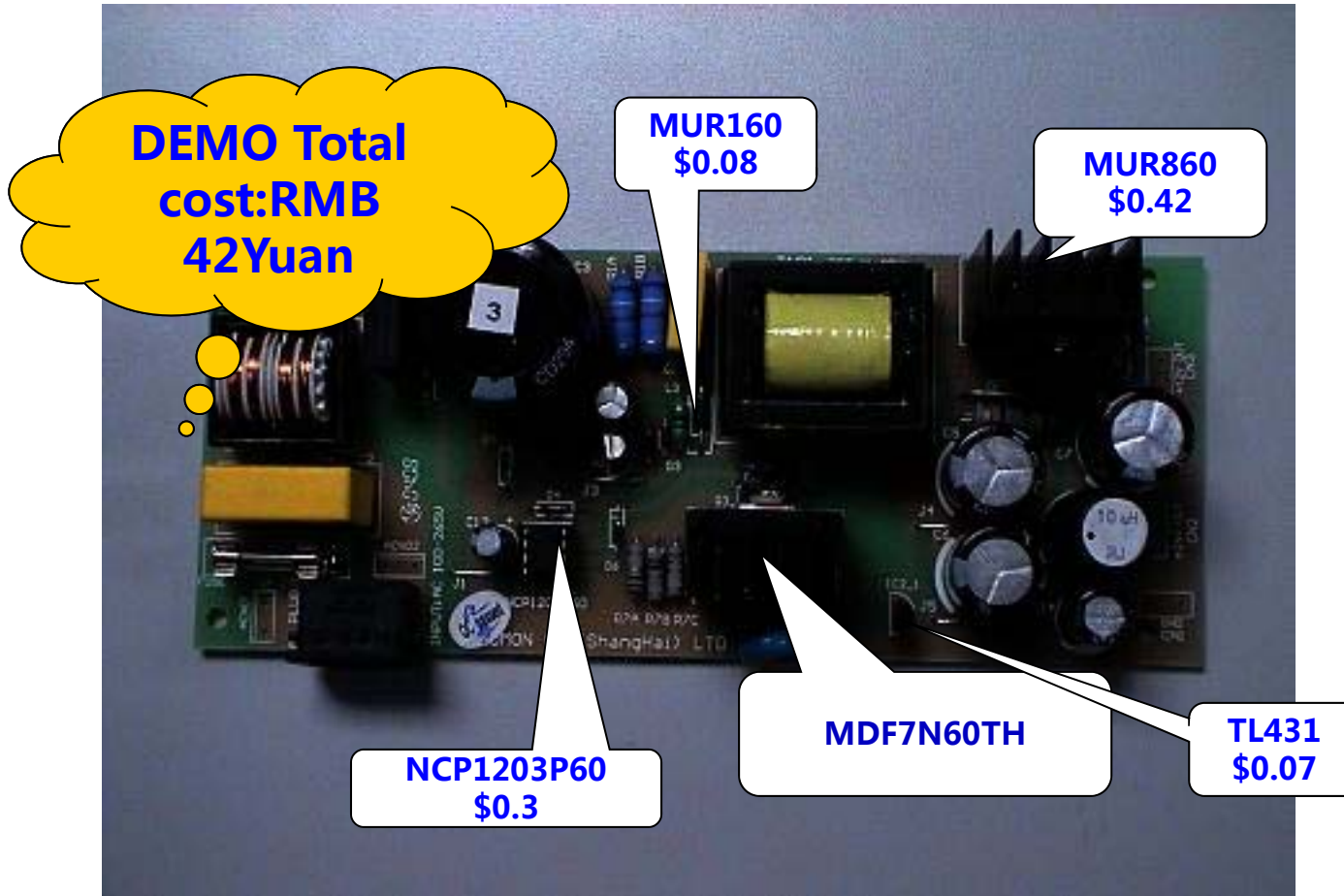
IN5822

LT431

MUR160

MUR840 etc

70W LCD TV Or Industrial Power Supply



Power out:70W

Typical Applications

- **LCD monitor or industry adapter**
- **Offline Battery Chargers (E-Bike)**
- **Easy modified Output Power**

We can supply the following file

Schematic

Bill of Material

Print Circuit Board

Mainly used devices:

NCP1203P60

IN5822

LT431

MUR160

MUR840

etc

NCP1014 10W DVD or STB Power Supply

DEMO Total cost:RMB 13Yuan

NCP1117 3V3

MC7805 \$0.095

NCP1014AP065
Competitor:PI:tiny
XXXX series and
Fairchild 0380

TL431 \$0.095
Competitor:T
I/GS/Fairchild

LM2576 \$0.7
Competitor:Mricorelay:

Power out:10W

Typical Applications

- **DVD or STB power supply**
- **Air-condition & Wash machine Controller power supply)**
- **Auxiliary Power Supplies (USB, Appliances, TVs, etc.)**

Main used devices:

NCP1014AP065

IN4007 ON or BCD

MUR420 ON or BCD

MC7805CT ON or BCD